

location:  
**WET**

**SPECIFICATIONS:**

**DESCRIPTION**

Outdoor wall sconce features handcrafted European glass.

**LAMPING**

**Standard:** 75W A19 120V, *lamps not included.*

**CFL:** 13W CFL 120V, *lamps not included.*

**GU24 CFL:** Self-ballasted GU24 lampholders. 13W max, 120V, *lamps not included.*

**DIFFUSER**

Glass diffuser is molded glass in Black or Bronze decor, with a warm Smoke tint. Dimensions are 5.25" W x 9.5" H x 4" D.

**CONSTRUCTION**

Stamped Stainless steel fitter. Glass is secured by stainless steel set screws.

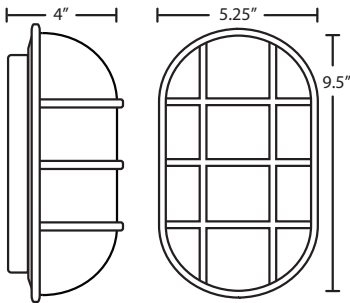
**MOUNTING**

Installs directly to a 4" octagonal outlet box, centered on fixture. 75°C supply wire required for incandescent lamping.

**LABELS**

UL or ETL Listed. Suitable for Wet Locations.

May be used in Interior or Exterior applications.



**396197**  
Bronze/Smoke

**396156**  
Black/Smoke

**ORDERING:**

3 | 9 | 6 | 1 | | - | | | |

<b>DECOR</b>		<b>LAMPING</b>	
56	Black/Smoke	(Blank)	1x 75W A19 (Incan)
97	Bronze/Smoke	D1	1x 13W CFL
		GU24	1x GU24, 13W max

**Project Information:**

All dimensions provided are nominal. Allowance must be made for dimensional tolerance in handcrafted glasses.

**REV 7/13**